

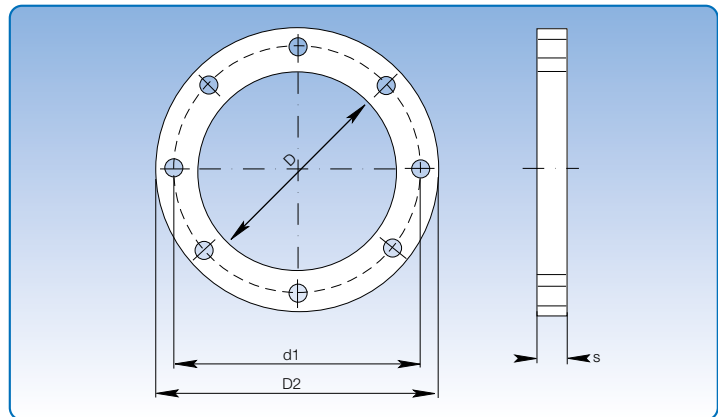
Flanges

Diameter: $\varnothing 80 - \varnothing 1250$ mm.

Flanges are made in accordance with JKF's standard, and are a standard component in the product range.

Flanges are stock items in hot dip galvanised finish, but can be supplied either untreated or painted.

Flanges in other dimensions or profiles are available to order.



Dimensional specifications are given in the table below.

Item no.	Diameter: nominal	D mm	Dimensions			Flange width mm	Hole size mm	Quant. holes	Weight kg
			d1 mm	D2 mm	s mm				
1670005	80	85	115	135	3,00	25	10	8	0,19
1671005	100	105	135	155	3,00	25	10	8	0,23
1672005	120	125	155	175	3,00	25	10	8	0,26
1673005	125	130	160	180	3,00	25	10	8	0,27
1674005	140	143	175	193	3,00	25	10	8	0,30
1675005	150	155	185	205	5,00	25	10	8	0,53
1676005	160	165	195	215	5,00	25	10	8	0,56
1677005	180	185	215	235	5,00	25	10	8	0,62
1678005	200	205	235	255	5,00	25	10	12	0,67
1679005	225	230	260	280	5,00	25	10	12	0,74
1680005	250	255	285	305	5,00	25	10	12	0,83
1680505	275	280	310	330	5,00	25	10	12	0,90
1681005	300	305	336	355	5,00	25	10	12	0,97
1682005	315	320	351	370	5,00	25	10	12	1,22
1683505	325	330	360	380	5,00	25	10	12	1,06
1683005	350	355	389	415	5,00	30	12	12	1,36
1684505	375	380	424	440	6,00	30	12	12	1,74
1684005	400	405	439	465	6,00	30	12	16	1,85
1685505	425	430	462	490	6,00	30	12	16	1,96
1685005	450	455	489	515	6,00	30	12	16	2,05
1686505	475	480	515	540	6,00	30	12	16	2,16
1686005	500	505	540	565	6,00	30	12	16	2,28
1687005	550	555	590	615	6,00	30	12	16	2,51
1688005	600	605	640	665	6,00	30	12	16	2,73
1689005	630	635	670	695	6,00	30	12	24	2,83
1690005	650	655	690	715	6,00	30	12	24	2,89
1691005	700	705	750	785	6,00	40	12	24	4,26
1692005	750	755	800	835	6,00	40	12	24	4,56
1693005	800	805	850	885	6,00	40	12	24	4,85
1694005	850	855	900	935	6,00	40	12	24	5,15
1695005	900	905	950	985	6,00	40	12	24	5,43
1696005	950	955	1000	1035	6,00	40	12	24	5,73
1697005	1000	1005	1050	1085	6,00	40	12	24	6,02
1697505	1100	1105	1147	1185	6,00	40	12	28	6,56
1697705	1150	1155	1197	1235	6,00	40	12	28	6,85
1698505	1200	1205	1247	1285	6,00	40	12	24	7,18
1698005	1250	1255	1300	1335	6,00	40	12	28	7,44